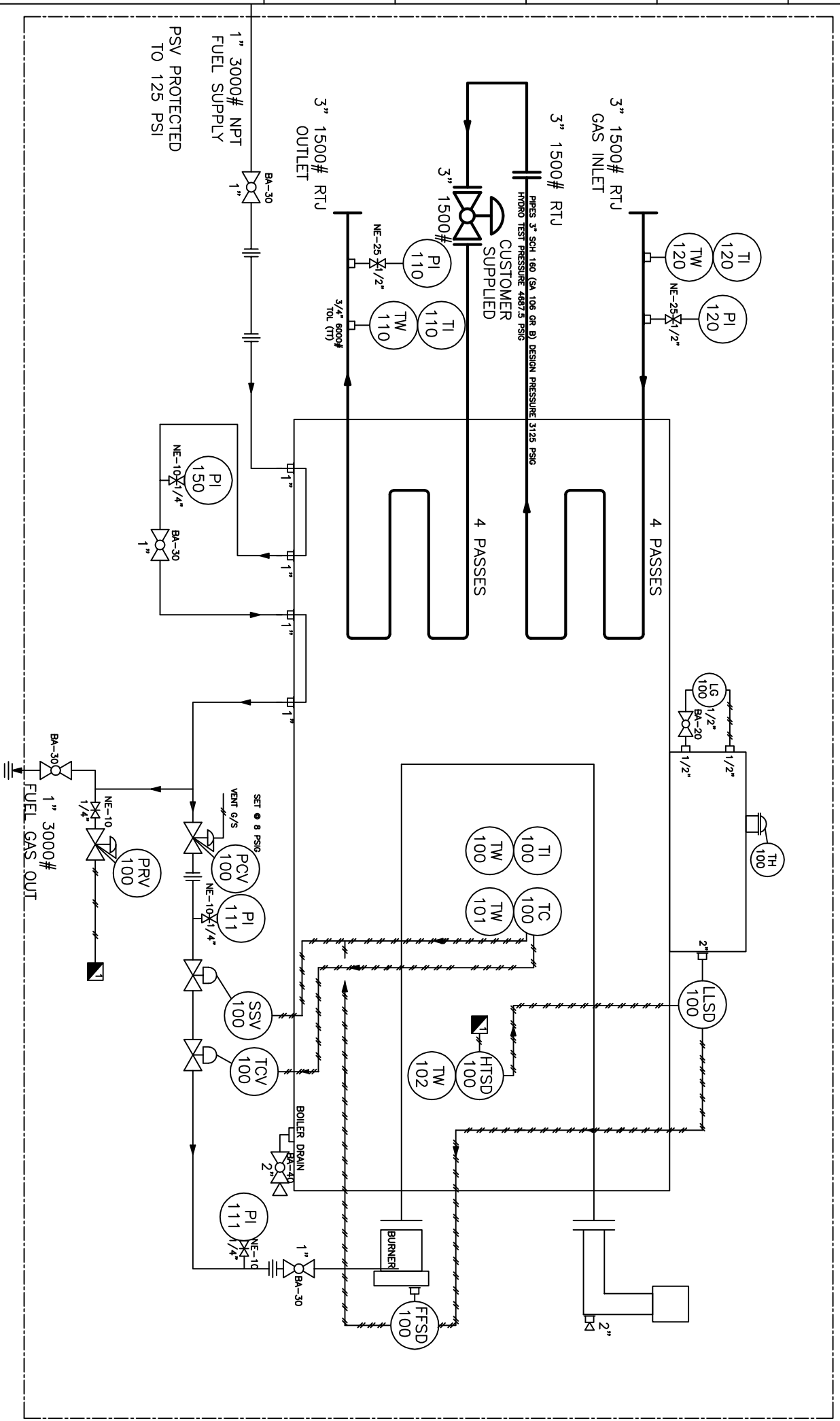


BILL OF MATERIALS

TAG #	QTY	DESCRIPTION
H-101	1	1500# ANSI 400,000 BTU/HR LINE HEATER, 10" LONG x 36" DIA.
FESD-100	1	10" FLANGE VENT STACK c/w PIPE CAP/DRIFT INVERTOR.
		ZIRCO MODEL ACI-2000 SAFETY LIGHT, IGNITER, PILOT, FLAME FAIL
LBSD-100	1	SOB PNEUMATIC 2" NPT CONNECTION
LG-100	1	16" Tank Gauge P/N# P8700-16-12-C1M
PCV-100	1	PR27 Regulator 1" NPT, 1/8" office 5-20 PSI set @ 8 PSI P/N# P827080800N2112
PRV-100	1	1/4" NPT Ballfrom T-50 regulator, 0-30 PSI range
HTSD-100	1	Kimroy HT12
TC-100	1	Kimroy T12 Temperature controller
TCV-100	1	Kimroy Motor Valve 1" 130 SMT
SSV-100	1	Kimroy Motor Valve 1" 130 SMT
PI-150	1	WIK4 233.53 2-1/2" DUAL, 1/4" NPT BOTTOM CONNECTION, 316 SST TUBE, TYP. SOCKET & CASE, DUAL SCALE LIQUID FULLED, 0-200 PSIG RANGE
PI-111	1	WIK4 233.53 2-1/2" DUAL, 1/4" NPT BOTTOM CONNECTION, 316 SST TUBE, TYP. SOCKET & CASE, DUAL SCALE LIQUID FULLED, 0-15 PSIG RANGE
PI-110/120	2	WIK4 # 233.54 2" DUAL, 1/2" NPT BOTTOM CONNECTION, 316 SST TUBE, TYP. SOCKET & CASE, 0-5000 PSIG DUAL SCALE, LIQUID FULLED, W/ A600 1/2" NPT
TI-110/120	2	TREND MODEL 331 3" DIA., 2 1/2" STEM, 50-400 F DUAL SCALE
TI-100	1	TREND MODEL 331 3" DIA., 6" STEM, 50-400 F DUAL SCALE
TW-110/120	2	1/2" x 3/4" x 2 1/2" 19 316 SS thermowell
TW-100	1	1/2" x 3/4" x 6" 19 316 SS thermowell
TW-101/102	2	Kimroy Separable Socket SS 316, 1" NPT x 1/2" FNPT connection
NE-10	4	1/4" F x F Needle Valve 6000#
NE-25	2	1/2" M x F Needle Valve 316 SS, 6000#
BA-20	1	1/2" Ball Valve 2000#
BA-30	4	1" Ball Valve 2000#
BA-40	1	2" Ball Valve 2000#
BURNER	1	ZIRCO MODEL FAB 29/18-16(2) FLAME ARRESTED BURNER ASSEMBLY, 400,000 BTU/HR (NET) RATING, TWO PIECE ALUMINUM CONSTRUCTION.
TH-100	1	ZIRCO MODEL # JT-B, JAYCO THIEF HATCH, PRESSURE 8 OZ.



P&ID

NUMBER	REFERENCE DRAWINGS	TITLE	NO.	BY	DATE	ISSUE	CHK'D	APP'D	DISCIPLINE	APPROVED	INITIALS	DATE
ENC-LH-01-01			0	ZZ	07/04/15	ISSUED FOR APPROVAL			MECHANICAL			
ENC-LH-01-02												
ENC-LH-01-03									CIVIL/STRUCTURAL			
ENC-LH-01-04									ELECTRICAL			
ENC-LH-01-06									DRAFTING/CHECKED			

Propipe Manufacturing
9625 - 144 Avenue
Grande Prairie, Ab
PH: (780) 402-3131
FAX: (780) 402-3130

Propipe Manufacturing
ENCANA
400,000 BTU LINE HEATER PACKAGE
P&ID

REVISIONS	ISSUE	APPROVED	DATE	PROJECT NO.	JOB NO.	DRAWING NO.	REV.
				ENC-MR-02	ENC-LH-01-05		0