

GENERAL NOTES		REFERENCE DRAWINGS		REVISIONS		
NO.	DESCRIPTION	NUMBER	TITLE	NO.	DESCRIPTION	BY DATE CHK.
		1490-01	P & ID (ASPIRE)	B	ISSUED FOR BID	ASC 030904
				1	ISSUED FOR CONSTRUCTION	ASC 030930
				2	AS-BUILT	MJP 040331
				3	ISSUED FOR OGC APPLICATION (SOLARIS)	WM 070629
				4	ISSUED FOR CONSTRUCTION (SOLARIS)	JMM 070705
				5	IFC-REVISED AS SHOWN (SOLARIS)	WM 070808
				6	AS-BUILT (SOLARIS)	DL 071102

encana
natural gas

CIMARRON ENGINEERING LTD.
PIPING AND INSTRUMENTATION
DEHYDRATOR No. 1 AREA
SUNDOWN
SDN01710 - DEHY

Tuxtle GAS ENGINEERING LTD.

DRAWN: _____ DATE: 030307
CHK'D: _____ DATE: _____
APPROVED: _____
TUXTLA EL PASO
DATE: _____ DATE: _____

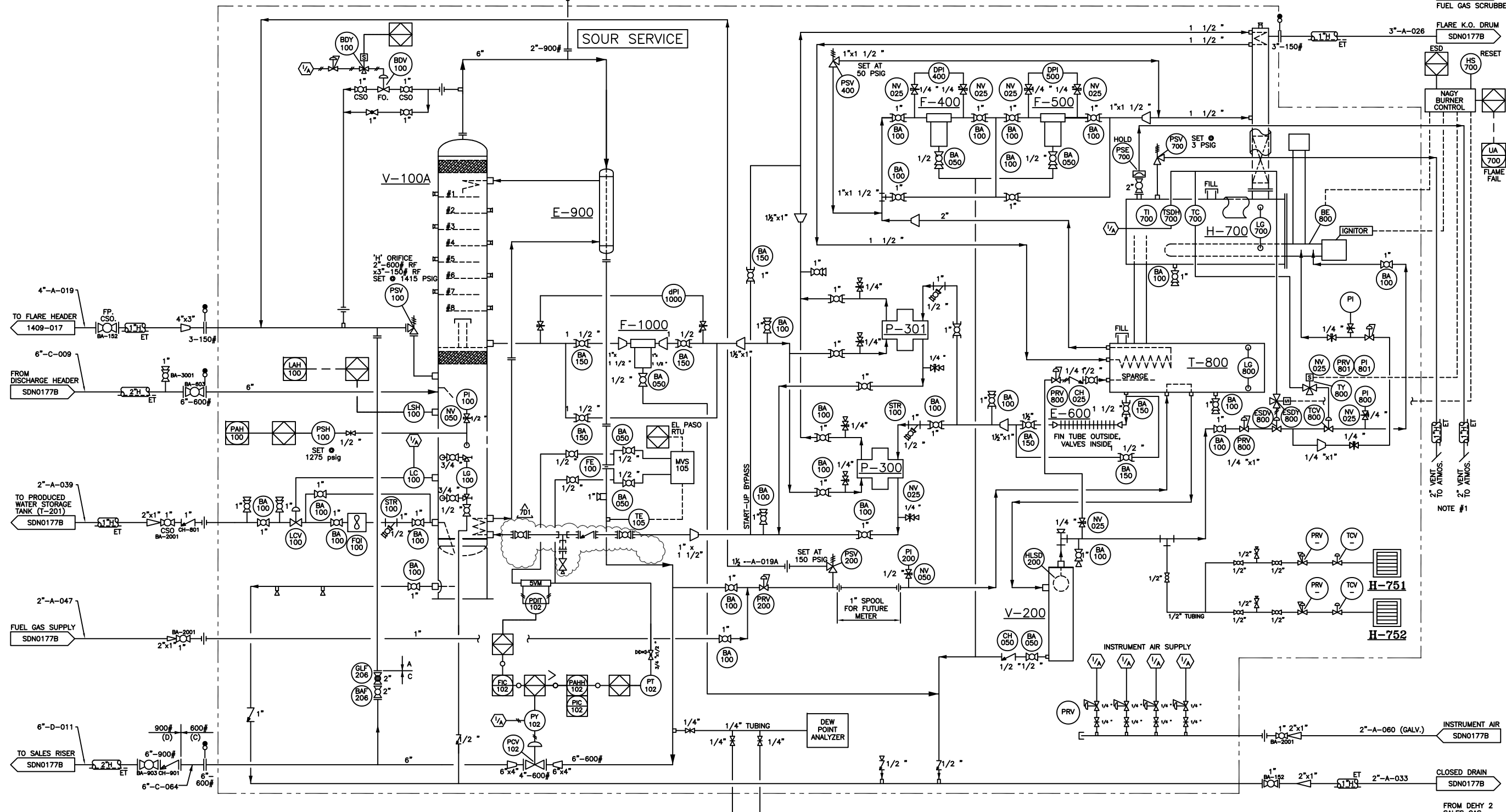
el paso EL PASO OIL & GAS CANADA INC.

SUNDOWN d-85-G CENTRAL FACILITY
DEHYDRATOR No. 1 AREA
PROCESS & INSTRUMENTATION DIAGRAM
d-85-G / 093-P-7

SCALE: NONE DWG #: 1409-015 REV: 6

CAD FILE NO. D:/SUNDOWN/1409/1409015.DGN

V-100A GLYCOL CONTACTOR 36" OD x 26'-0" S/S MAWP: 1415 PSIG AT 150°F	E-900 GAS/GLYCOL EXCHANGER 8"x6" x 10'-0" S/S MAWP: 1415 PSIG AT 100°F	F-1000 GLYCOL FILTER NOWATA MODEL 1SP2C MAWP: 2000 PSIG AT 250°F	P-300 GLYCOL PUMP KIMRAY 21015 210 GPH	P-301 GLYCOL PUMP KIMRAY 21015 210 GPH	F-400 GLYCOL FILTER CUNO 1B2 PARTICULATE	F-500 GLYCOL FILTER CUNO 1B2 CHARCOAL	E-600 AIR/GLYCOL EXCHANGER 1 1/4" TRAPEZOIDAL FIN TUBE 32'-0" LONG	H-700 GLYCOL REGENERATOR 1.0 MM BTU/HR 30" OD x 150" LONG	T-800 GLYCOL SURGE TANK 30" OD x 150" LONG	V-200 FUEL GAS SCRUBBER 8 5/8" OD x 36" S/S MAWP: 150 PSIG AT 100°F	H-751/752 BUILDING HEATER NAME: CATADYNE MODEL: MKII 2424 20,000 BTU/hr
--	--	--	--	--	--	---	--	---	---	---	--



NOTES:
 1. RUN TO NO GREATER THAN 12" ABOVE GRADE.
 2. FABRICATE AND HYDROTEST AS PER B31.3 & ECA-PVF-S-03 PIPING MATERIALS CLASS CSA HYDROTEST @15307 kPag FOR 1 HR MIN.

THE SIGNATURE AND SEAL OF THE UNDERSIGNED ON THIS DRAWING CERTIFIES THAT THE DESIGN INFORMATION CONTAINED IN THESE DRAWINGS ACCURATELY REFLECTS THE ORIGINAL DESIGN AND THE MATERIAL DESIGN CHANGES MADE DURING CONSTRUCTION, THAT WERE BROUGHT TO THE UNDERSIGNED'S ATTENTION. THESE DRAWINGS ARE INTENDED TO INCORPORATE ADDENDA, CHANGE ORDERS AND OTHER MATERIAL DESIGN CHANGES, BUT NOT NECESSARILY ALL SITE INSTRUCTIONS.
 THE UNDERSIGNED DOES NOT WARRANT OR GUARANTEE, NOR ACCEPT ANY RESPONSIBILITY FOR THE ACCURACY OR COMPLETENESS OF THE AS-CONSTRUCTED INFORMATION SUPPLIED BY OTHERS CONTAINED IN THESE DRAWINGS, BUT DOES CERTIFY THAT THE AS-CONSTRUCTED INFORMATION, IF ACCURATE AND COMPLETE, PROVIDES AN AS-CONSTRUCTED SYSTEM WHICH SUBSTANTIALLY COMPLIES IN ALL MATERIAL RESPECTS WITH THE ORIGINAL DESIGN INTENT.

REFERENCE DRAWINGS	DWG. NO.	NO.	DATE (MM-DD-YY)	PROJECT DESCRIPTION	PROJ.	AFE	EPCM Co.	EPCM No.	APPD.
P & ID (ASPIRE)	1490-01	2	040331	AS-BUILT	-	-	TUXTLA	1409	MJP
		3	2008-10-20	ADDED ENCANA TITLE BLOCK TO EL PASO DRAWING	-	-	ENCANA	-	ELG
		4	2011-02-10	COMPRESSOR STATION EXPANSION	-	-	11145520	GEMINI	G10146.001
		5	2013-01-07	HEATER INSTALL	-	-	CC17731	SOLARIS	EN12-01893
		6	2013-03-07	D-85-G/93-P-7 ADDITIONAL GLYCOL PUMP - AS-BUILT	-	-	CC17731	SOLARIS	EN13-01987
		7	2013-03-28	D-85-G/93-P-7 CHECK VALVE REPLACEMENT	-	-	CC17731	SOLARIS	EN13-01987

ISSUE STAGE	DATE (MM-DD-YY)	BY	CHKD.	APPD.	PERMIT STAMP	ENGINEER'S STAMP
Prelim. (A)	-	-	-	-		
Bid (B)	-	-	-	-		
Constr. (C)	-	-	-	-		
As-built (D)	2014-12-11	BWM	BOS	DLM		

encana

COMP. STN. D-85-G
 D-85-G/93-P-7
 COMPRESSOR STATION
 D-85-G/93-P-7
 NTS (A1 SIZE) EN13-01987

SOLARIS MANAGEMENT CONSULTANTS INC.

TITLE: PIPING AND INSTRUMENTATION DIAGRAM
 DEHYDRATOR No. 1 AREA

CLASS FILE NO. A1409-015 - DEHY #1

CAUTION : READ BEFORE EXCAVATION
 ALL EXCAVATIONS MUST BE CARRIED OUT AS PER "ENCANA'S GROUND DISTURBANCE PRACTICE"