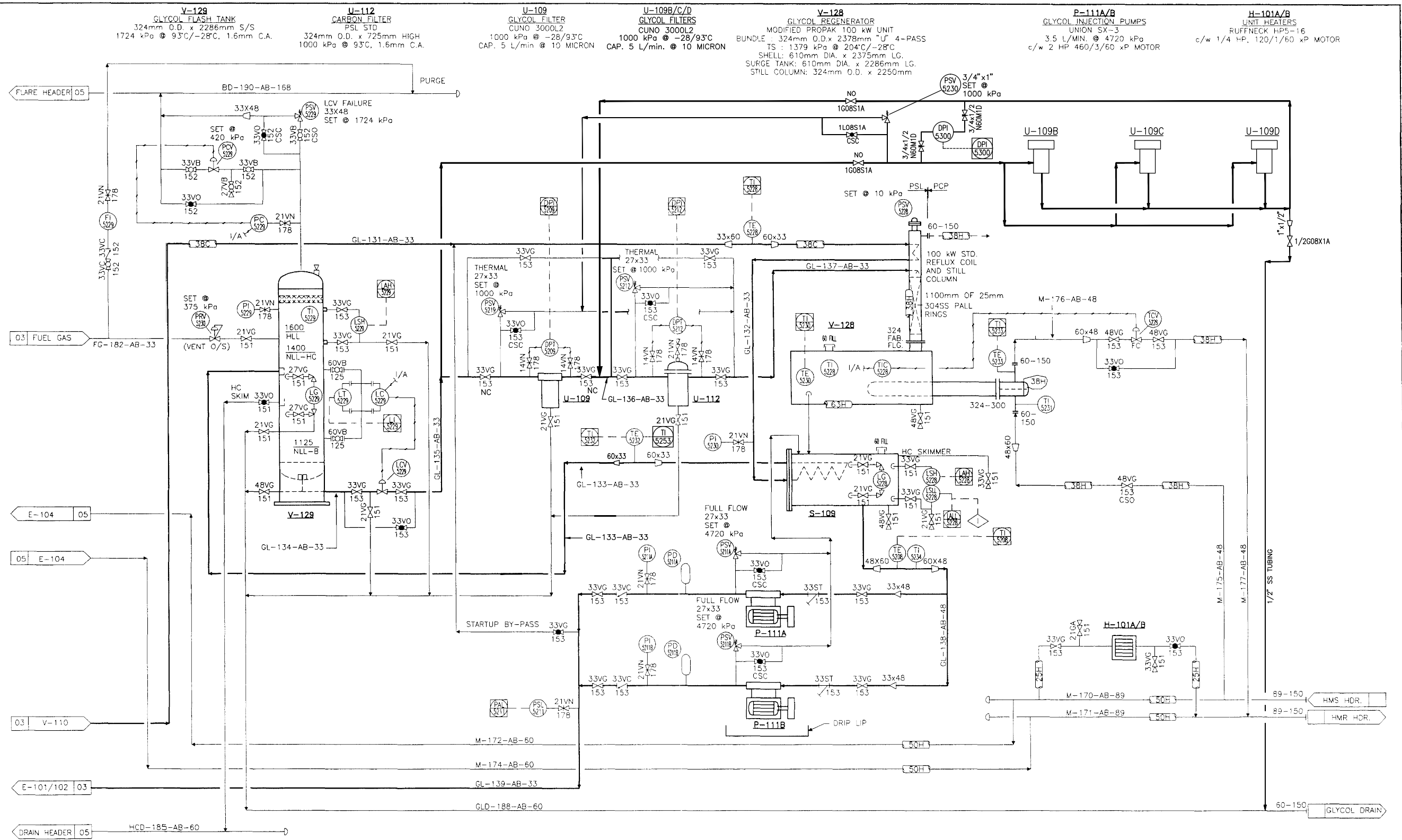


July 31, 1998 1:56:25 p.m.  
 Drawing: C:\PSPAS\1998\AS-BUILT\VENOR\W00885F.DWG  
 THIS DRAWING AND THE DESIGN IT COVERS ARE CONFIDENTIAL AND THE PROPERTY OF PROPAC SYSTEMS LTD. AND SHALL NOT BE DISCLOSED TO OTHERS OR REPRODUCED IN ANY MANNER OR USED FOR ANY PURPOSE WHATSOEVER EXCEPT BY WRITTEN CONSENT OF PROPAC.



GENERAL NOTES		GENERAL NOTES		REVISION		BY		DATE		CKD		ENG		BY		CHECKED		APPROVED		DATE		SCALE	
4		MODIFICATIONS FOR DPH JOB #2982		ML		98.02.09		-		-		-		-		-		-		-		-	
3		AS BUILT		M:M		JAN/95		BB		BB		BB		BB		BB		BB		BB		BB	
2		GENERAL REVISIONS		V K		JAN/95		BB		BB		BB		BB		BB		BB		BB		BB	
1		ISSUED FOR APPROVAL		RC		NOV/94		BB		BB		BB		BB		BB		BB		BB		BB	
C		GENERAL REVISIONS		WC		OCT/94		BB		BB		BB		BB		BB		BB		BB		BB	
B		ISSUED FOR APPROVAL		RC		AUG/94		BB		BB		BB		BB		BB		BB		BB		BB	
A		ISSUED WITH BID		RC		JUN/94		LD		LD		LD		LD		LD		LD		LD		LD	
No.				BY		DATE		CKD		ENG		BY		CHECKED		APPROVED		DATE		SCALE			
				BY		AUG. 25/94		ENG		RICHARD C.													

**encana.**  
 BTRY. & GAS PLANT  
 01-20-028-21 WAM  
 BATTERY  
 01-20-028-21 WAM  
 2982

**DPH ENGINEERING INC.**  
 PIPING AND INSTRUMENTATION DIAGRAM  
 REFRIG. PROCESSING PACKAGE  
 WAYNE  
 WNO0885F

THIS DRAWING REPRESENTS PROPRIETARY INFORMATION AND SHOULD NOT BE DISTRIBUTED OR MODIFIED IN ANY MANNER THAT IS NOT IN THE BEST INTEREST OF ENCANIA OR THE ORIGINAL AUTHOR.

**PANCANADIAN PETROLEUM**  
 BATTERY & COMPRESSION FACILITY  
 REFRIG. PROCESSING PACKAGE - GLYCOL REGEN. SECTION  
 MECHANICAL FLOWSHEET  
 DWG. No.: D - MFS-94139-100 SHT. 6 OF 6 REV 4