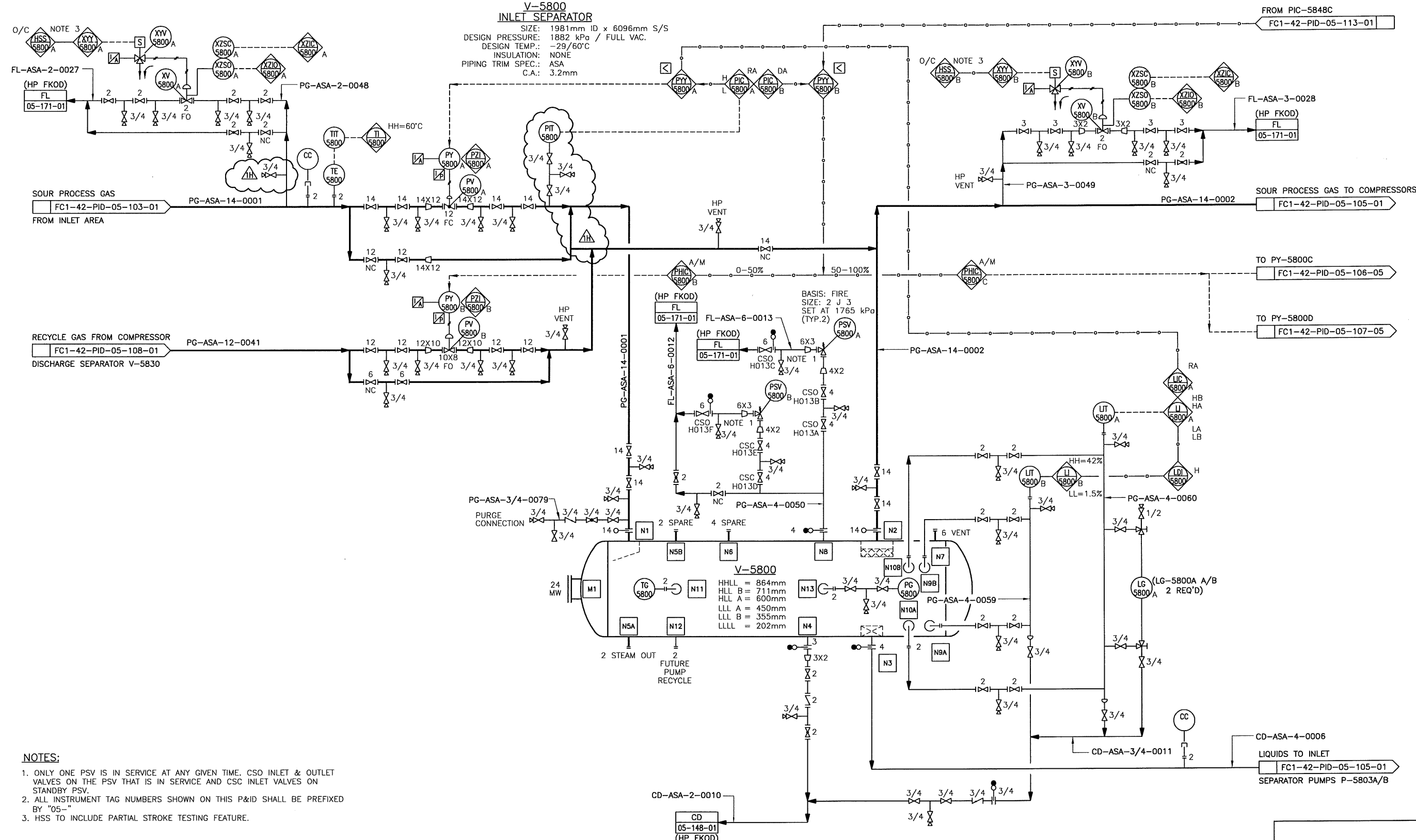


FC1-42-PID-05-104-01 REV 1H

V-5800 INLET SEPARATOR

SIZE: 1981mm ID x 6096mm S/S
 DESIGN PRESSURE: 1882 kPa / FULL VAC.
 DESIGN TEMP.: -29/60°C
 INSULATION: NONE
 PIPING TRIM SPEC.: ASA
 C.A.: 3.2mm



- NOTES:**
1. ONLY ONE PSV IS IN SERVICE AT ANY GIVEN TIME. CSO INLET & OUTLET VALVES ON THE PSV THAT IS IN SERVICE AND CSC INLET VALVES ON STANDBY PSV.
 2. ALL INSTRUMENT TAG NUMBERS SHOWN ON THIS P&ID SHALL BE PREFIXED BY "05-"
 3. HSS TO INCLUDE PARTIAL STROKE TESTING FEATURE.

DRAWING NUMBER	REFERENCE DRAWINGS	STAMPS	REV NO	REVISION	DATE	DRN	CKD	DES	LDE	PE	DESIGNED BY	CONSULTANT LOGO	TITLE	DRAWING	REVISION
			0H	ISSUED FOR CONSTRUCTION	09/09/01	SR	DC	DB	DB	DB	DB		PIPING & INSTRUMENTATION DIAGRAM INLET SEPARATOR V-5800	FC1-42-PID-05-104-01	1H
			1H	RE-ISSUED FOR CONSTRUCTION	10/03/10	SR	DB	DB	DB	DB	DB				