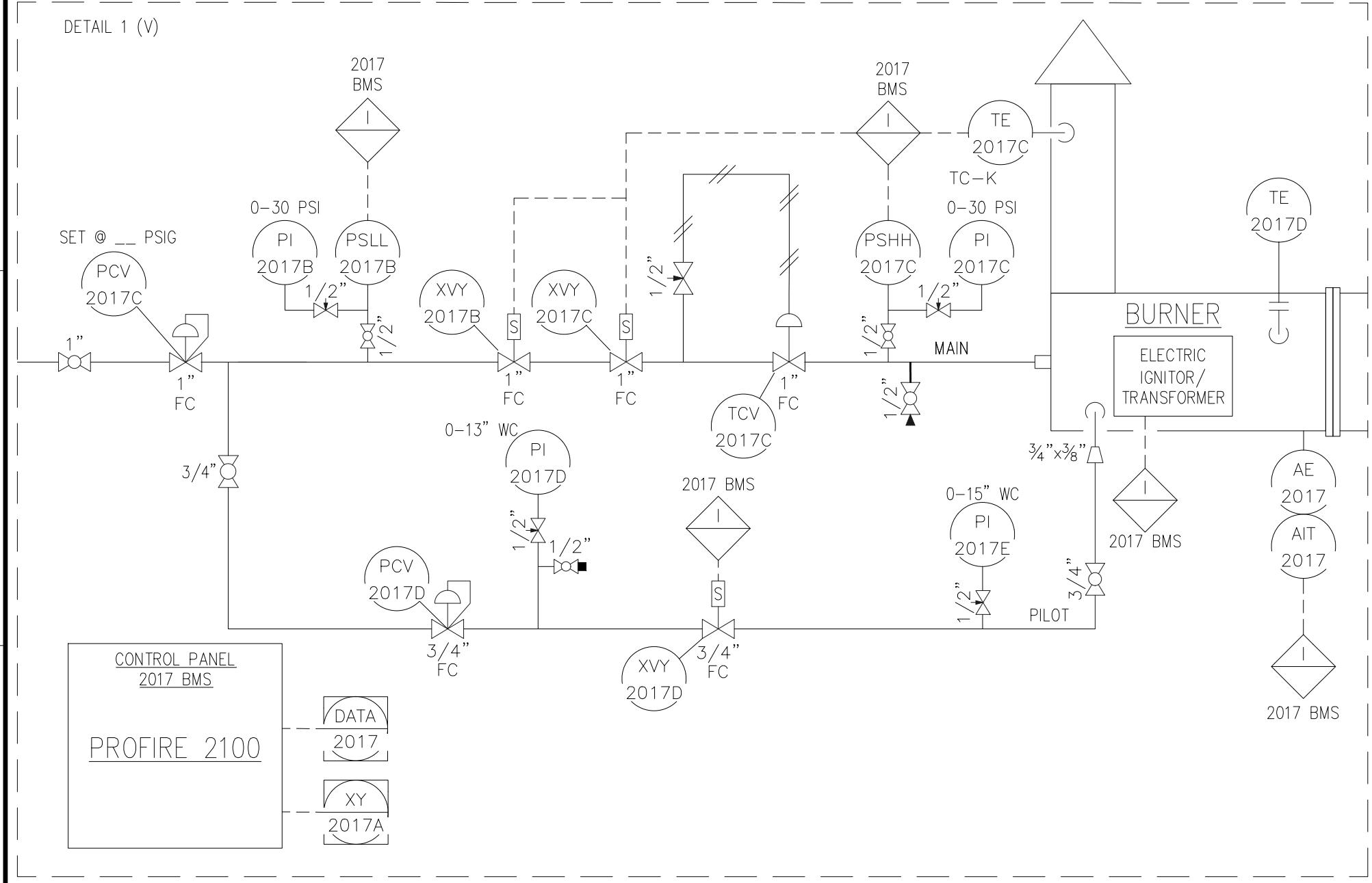


BU-2017 FIRED BURNER 1
 TYPE: DIRECT FIRED, NATURAL DRAFT
 DUTY: 1.0 MMBTU/HR PER BURNER
 DESIGN P/T: 125 PSIG (EXTERNAL) @ -20/300 °F
 MATERIAL: CS

Z-2017 OFF-SPEC HEATER TREATER PACKAGE

V-2017 OFF-SPEC HEATER TREATER
 SIZE: 60" I.D. x 20' S/S
 DESIGN P/T: 125 PSIG/HALF VAC (7.5 PSIA) @ -20/300°F
 MATERIAL: CS W/INTERNAL COATING



- NOTES:
1. LOW LEVEL SWITCH WILL TRIP BMS TO PROTECT FIRTUBE.
 2. SANDJET NOZZLE. (PER ASL PIPE SPEC.)
 3. FLANGED BOOT SECTION.
 4. SCARFED PIPE END.
 5. ANODE CONNECTIONS.
 6. MAINTENANCE CONNECTION.
 7. FUTURE LEVEL SWITCH CONNECTION
 8. OFF-SPEC HEATER TREATER TO ALSO BE USED AS MAINTENANCE VESSEL.

DWG NO.	TITLE

REV	DESCRIPTION	BY	DATE	CHK BY	CHK DATE	APR BY	APR DATE

APPROVALS	
SIGNATURE	DATE
BMO	02/12/18
CHECKED	
APPROVED	
CLIENT APPROVAL	
SIGNATURE	DATE
OPERATIONS	
ENGINEERING	
PROJ. MGR.	

PDC ENERGY

PIPING & INSTRUMENTATION DIAGRAM
 BOREAS OTF
 REEVES COUNTY, TEXAS
 OFF-SPEC HEATER TREATER

SCALE: NO. SCALE
 DRAWING NO. EAST-OTF-PID-2000-130

FILE PATH: C:\USERS\MOVER\DESKTOP\PCD BOREAS 4-25-19\EAST-OTF-PID-2000-130.DWG BY:MOVER DATE:Apr 25, 2019 9:26am