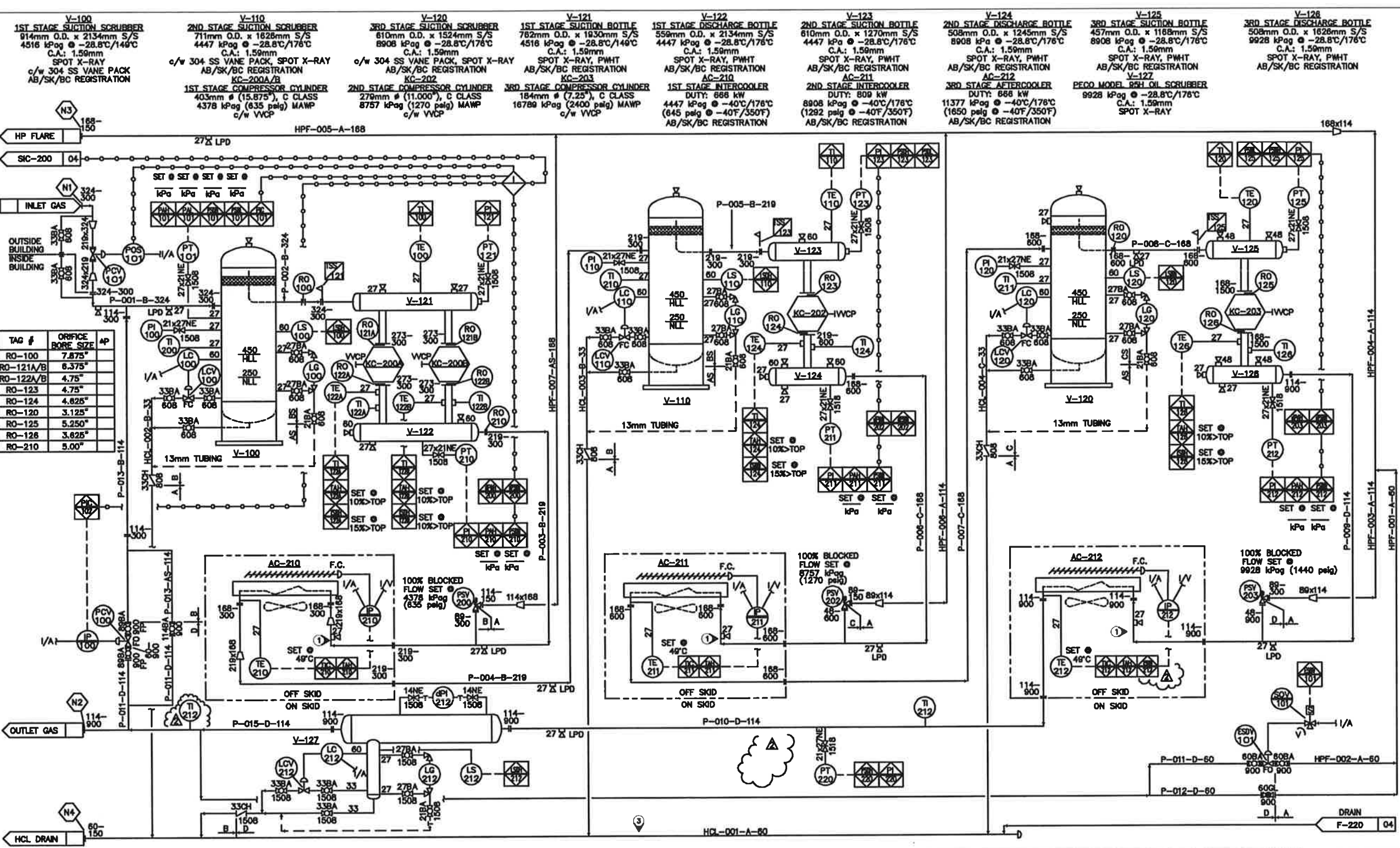


THE DESIGN IS CONSIDERED AND THE PROPERTY OF PROPAC SYSTEMS LTD. AND SHALL NOT BE REPRODUCED OR USED FOR ANY PURPOSES WITHOUT WRITTEN CONSENT.

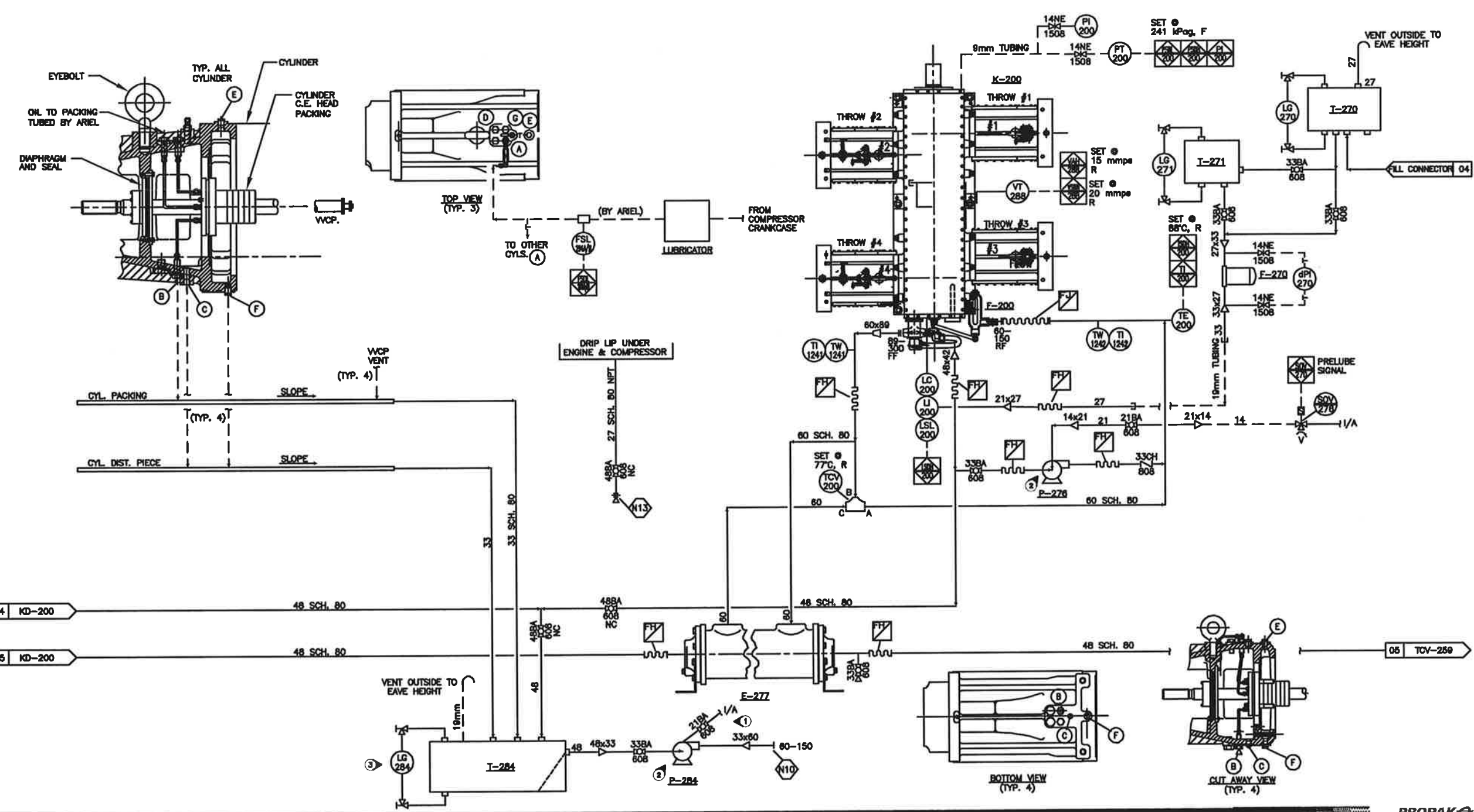


1. FUTURE MECH CONNECTION 2. MANUAL VALVES TO BE LOCATED ABOVE GRATING 3. 50mm DRAIN HEADER TO BE HYDRO TESTED FOR 4 HOURS @ 2379 kPa		GENERAL NOTES DATE: 2006/06/16 03:46 PM J:\JOB508\066473\20-DRAWINGS\FLW\MFS-066473-100-03.DWG flu		GENERAL REVISIONS 1. ISSUED FOR CONSTRUCTION 2. CLIENT REVISIONS 3. ISSUED FOR APPROVAL		REVISION No.		APPROVED MECH. STRUC. DATE: JUN. 02/06 ELECTRICAL DATE: JUN. 02/06 PROJECT: S. MARTIN DATE: JUN. 02/06		DRAWN F. FU DATE: FEB. 17/06 CHECKED S. MARTIN DATE: JUN. 02/06		PROPAK FORT ENERGY CORPORATION C2370-JCC-4-3 COMPRESSOR PACKAGE PROCESS MECHANICAL FLOWSHEET 440 East Lake Road, Postal Bag #2 Airdrie, Alberta Canada T4B 2C3	
DATE: 2006/06/16 03:46 PM J:\JOB508\066473\20-DRAWINGS\FLW\MFS-066473-100-03.DWG flu		GENERAL REVISIONS 1. ISSUED FOR CONSTRUCTION 2. CLIENT REVISIONS 3. ISSUED FOR APPROVAL		REVISION No.		APPROVED MECH. STRUC. DATE: JUN. 02/06 ELECTRICAL DATE: JUN. 02/06 PROJECT: S. MARTIN DATE: JUN. 02/06		DRAWN F. FU DATE: FEB. 17/06 CHECKED S. MARTIN DATE: JUN. 02/06		PROPAK FORT ENERGY CORPORATION C2370-JCC-4-3 COMPRESSOR PACKAGE PROCESS MECHANICAL FLOWSHEET 440 East Lake Road, Postal Bag #2 Airdrie, Alberta Canada T4B 2C3			

Dwg. No. D-MFS-066473-100 SHT. 3 OF 2 REV. 2

THE DESIGN IS CONSIDERED AS THE PROPERTY OF PROPAC SYSTEMS LTD. AND SHALL NOT BE REPRODUCED OR REPRODUCED IN ANY MANNER OR USED FOR ANY PURPOSE WHATSOEVER WITHOUT THE WRITTEN CONSENT OF PROPAC.

- I-284**
WASTE OIL TANK
INTEGRAL WITH SKID
ATM DESIGN
1803 L
- P-284**
WASTE OIL PUMP
PNEUMATIC DIAPHRAGM PUMP
WICDEN M/N: T2/AAAB
- E-277**
COMPRESSOR LUBE
OIL COOLER
SHELL & TUBE
ARIEL #B-2073
- K-200**
RECIPROCATING GAS
COMPRESSOR
ARIEL JGC/4, 4 THROW
RATED AT 3087 KW, MAX. @ 1000 RPM
165.1mm STROKE
- F-200**
COMPRESSOR LUBE OIL FILTER
c/w ARIEL COMPRESSOR
- P-278**
COMPRESSOR PRELUBE PUMP
GAS DRIVEN DIAPHRAGM PUMP
SANDPIPER MODEL G1F
- I-271**
COMPRESSOR OIL
DAY TANK
203 x 203 HSS CRANE LEG
ATM DESIGN
110 L
- I-270**
COMPRESSOR LUBE OIL
SUPPLY TANK
INTEGRAL WITH CRANE
ATM DESIGN
568 L
- F-270**
LUBE OIL SUPPLY FILTER
STAUFF SAF07
c/w SF8510 FILTER ELEMENT
27mm NPT



1. NO PRV ON THIS CONNECTION.
2. PUMPS TO BE MOUNTED ABOVE GRATING.
3. LG-284 INSTALLED INSIDE BUILDING.

GENERAL NOTES		GENERAL NOTES	
<p>DATE: 2006/06/02 02:47 PM J:\JOBS\06\066473\20-DRAWINGS\FLW\MFS-066473-100-06.DWG author</p>	<p>NO. REVISION</p>		

APPROVED		DRAWN	
MECH/STRUCT	BY F. FU	DATE	FEB. 17/06
ELECTRICAL	CHECKED	DATE	CHECKED
PROJECT	S. MARTIN	DATE	JUN. 02/06
DATE	JUN. 02/06	SCALE	

FORT ENERGY CORPORATION	
C2370-JGC-4-3 COMPRESSOR PACKAGE	
COMPRESSOR LUBRICATION	
MECHANICAL FLOWSHEET	
Dwg. No.:	D-MFS-066473-100
SHT. 6 OF	1

PROPAK
 440 East Lake Road,
 Postal Bag #2
 Airdrie, Alberta
 Canada T4B 2C3